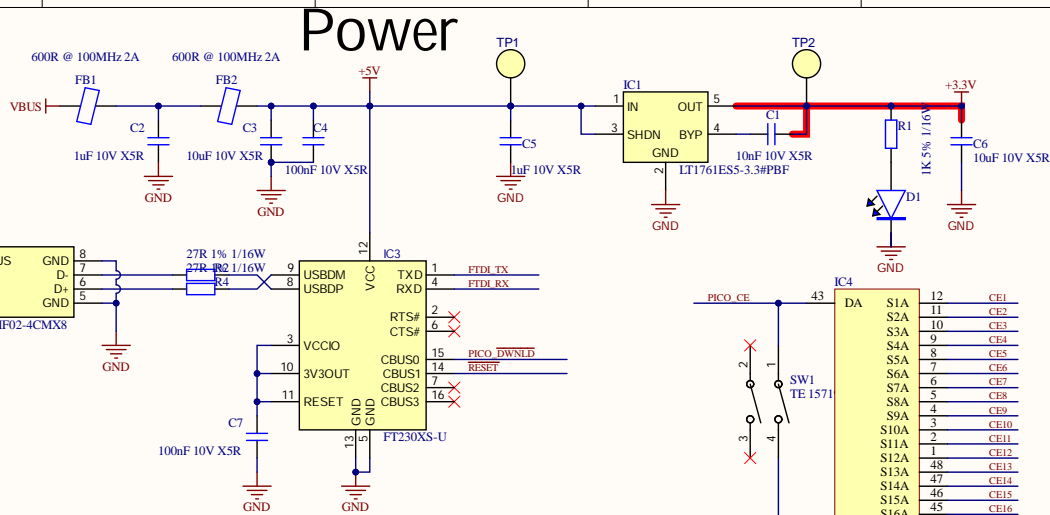
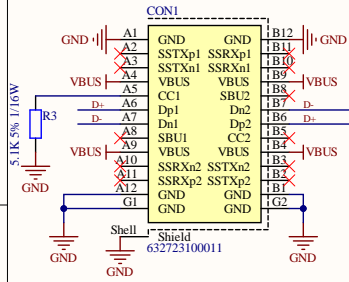
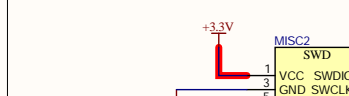
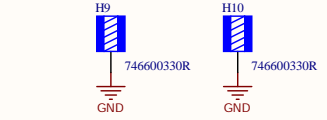


USB FTDI

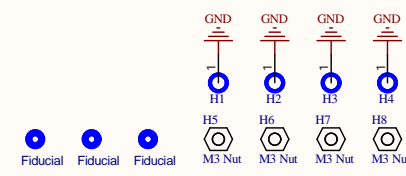
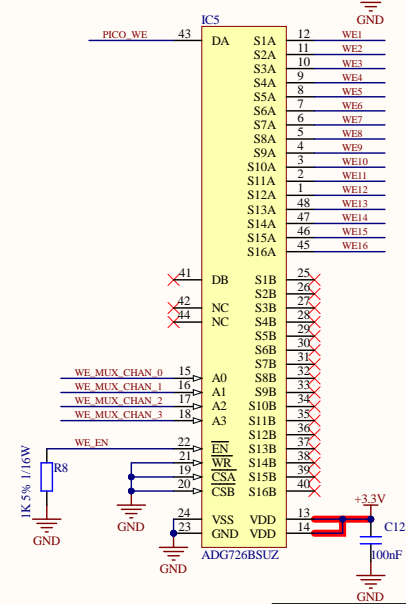
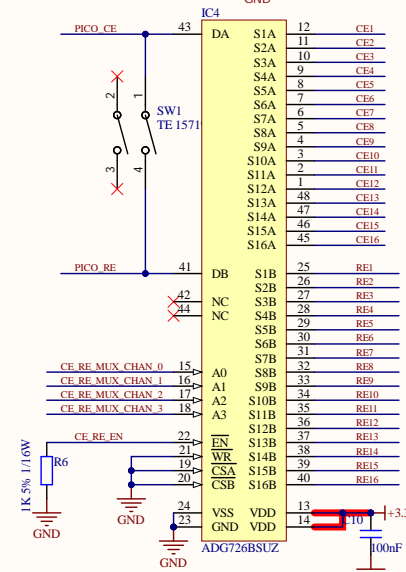
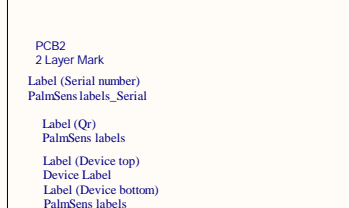
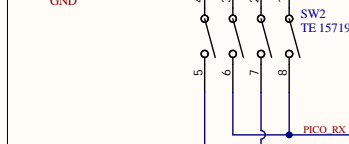
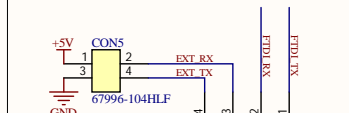


Screw terminal for making gnd connection to faraday cage.



EmstatPico

Connector to allow control by an external IC. Any other pins needed?



PCB2
2 Layer Mark
Label (Serial number)
PalmSens labels_Serial
Label (Qr)
PalmSens labels
Label (Device top)
Device Label
Label (Device bottom)
PalmSens labels
MISC1
PalmSens Logo